

The All In One Splice Press

The Aero™ Press is revolutionizing the splicing industry due to its ease of use and quick cycle time. This air cooled press has all components integrated into the tool, allowing a user to simply plug it into electricity and it is ready for use.



Efficient & Fast Splicing - All In One.

Once taken from the flight case the unit is fully operational and ready to splice. There are no external systems such as water tanks and pumps needed. All functions and subsystems are integrated into the press. The press has an integrated air-cooling system which ensures that the belt is quickly cooled down. This increases the splice quality and the operating speed of the press. For most belt materials, the entire operation can be completed within 7 to 12 minutes. This means a minimum interruption of the processes in which the conveyor belts are used.



Less Downtime

splice in 7 - 12 minutes



All-In-One Unit

no external components



Integrated Air Cooling

no water required



Portable Equipment

flight case included

NOVITool® AERO™

Portable Splice Press

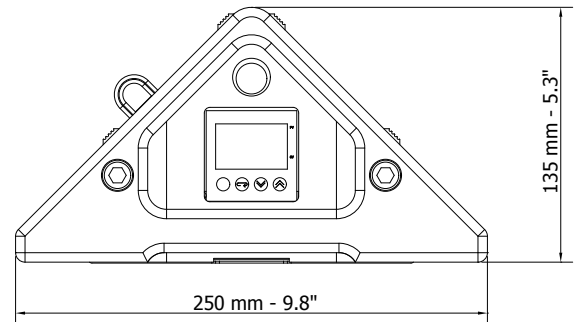
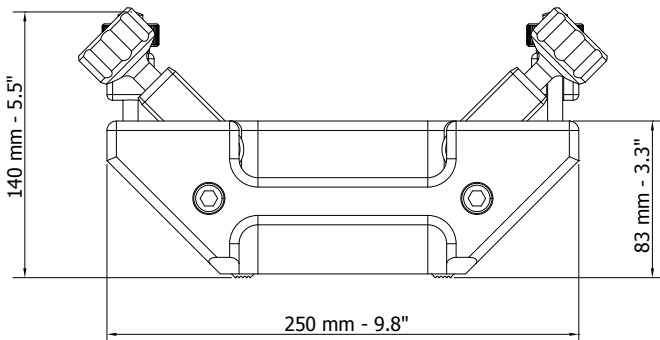
Aero™ Specifications

The Aero™ splice press is available in five different models ranging in width from 300 mm (24") to 1500 mm (60"). The unit operates on most common voltages. The Aero splice press can be used for splicing PVC and polyurethane belt materials ranging in width from 10 to 1524 mm (1/2 - 60") depending on the model.



Aero™ Tool Specifications

| Specifications | Aero 300 | Aero 600 | Aero 900 | Aero 1200 | Aero 1500 |
|--------------------------------------|--|---|---|---|---|
| Effective length | 305 mm / 12 " | 610 mm / 24 " | 914 mm / 36 " | 1219 mm / 48 " | 1524 mm / 60 " |
| Effective width | 130 mm / 5.1 " | 130 mm / 5.1 " | 130 mm / 5.1 " | 130 mm / 5.1 " | 130 mm / 5.1 " |
| Weight lower part | 10 kg / 22 lbs | 15 kg / 33 lbs | 20 kg / 44 lbs | 25 kg / 55 lbs | 30 kg / 66 lbs |
| Weight upper part | 11 kg / 24 lbs | 15 kg / 33 lbs | 18 kg / 40 lbs | 22 kg / 48 lbs | 26 kg / 57 lbs |
| Total weight | 21 kg / 46 lbs | 30 kg / 66 lbs | 38 kg / 84 lbs | 47 kg / 104 lbs | 56 kg / 123 lbs |
| Length | 505 mm / 19.9 " | 805 mm / 31.7 " | 1105 mm / 43.5 " | 1405 mm / 55.3 " | 1705 mm / 67.1 " |
| Overall Height | 220 mm / 8.5 " | 220 mm / 8.5 " | 220 mm / 8.5 " | 220 mm / 8.5 " | 220 mm / 8.5 " |
| Max. pressure | 2 Bar / 28 PSI | 2 Bar / 28 PSI | 2 Bar / 28 PSI | 2 Bar / 28 PSI | 2 Bar / 28 PSI |
| Max. temperature | 200 °C / 390 °F | 200 °C / 390 °F | 200 °C / 390 °F | 200 °C / 390 °F | 200 °C / 390 °F |
| Dimensions for transport (L x W x H) | 770 x 370 x 310 mm (30 x 15 x 12 ") | 1070 x 370 x 310 mm (42 x 15 x 12 ") | 1370 x 370 x 310 mm (54 x 15 x 12 ") | 1726 x 370 x 310 mm (68 x 15 x 12 ") | 1926 x 370 x 310 mm (76 x 146 x 122 ") |
| Weight for transport | 26 kg / 57 lbs | 35 kg / 77 lbs | 43 kg / 95 lbs | 53 kg / 117 lbs | 61 kg / 134 lbs |
| Power requirements | | | | | |
| 1 phase 230 Vac | 8.8 A | 14 A | 16 A | U.S. only 30 A | U.S. only 30 A |
| 3 phase 230 Vac | 4.4 A | 7 A | 8 A | 12 A | 15 A |
| 3 phase 400 Vac+0 | 4.4 A | 7 A | 8 A | 12 A | 15 A |
| 3 phase 460 Vac | 4.4 A | 7 A | 8 A | 12 A | 15 A |



www.flexco.com

LABRİS MAD.VE SAN.LTD.ŞTİ.

İncek Yolu Taşpınar Mah.No.473 inceK-06837-Ankara-Türkiye

Tel. + 90 312 499 32 55 (pbx) • Faks + 90 312 499 33 35 • e-mail: info@labrisltd.com.tr • www.labrisltd.com.tr

NOVITOO[®] AERO[™] Portable Splice Press

Easy to operate & excellent splice repeatability

The Aero[™] has two controllers. One for adjustment of temperature and time and one for setting the pressure generated by the built-in compressor. The material / splice specific pressure and temperature values are easily set and the splicing operation itself is fully automatic. The temperature controller has a scrolling display which navigates the user through the settings in clear text messages.

With two quick-clamping bars it is easy to position and fasten the material in the press. The clamping bars ensure that the material remains in position during the entire splicing process.

Temperature control & cooling

With the Aero press, the user can set different splice temperatures for the upper and lower plate or use a single temperature for both platens. This function makes it easy to obtain even better splice results for belt materials with a fabric inlay or coating.

Unique programming features enable a more precise setting of the dwell time (down to seconds), an automatic dwell time countdown and a preheating cycle. A controlled - stepped - preheating will provide better splice results with thicker or less heat conducting belt materials.



The splice platens have integrated cool zones on both sides of the heating zone. This will result in ultra smooth splices even for the most difficult belt materials. No inlays

of glass fibre or stainless steel are used which may cause pressure differences. The applied pressure will be the same at any point of the splicing plate. This design results in:

- no sinking of the hot splice plates into the molten belt material
- no bumps next to the splice
- less shrinkage of the fingers
- diminished shiny lines

With conventional systems these malformations are often difficult to control and will require possible process adjustments, trial runs and a lot of craftsmanship. However, the Aero can be operated with minimal training. With the right predefined settings the unit generates repeatable, high quality splices time after time.

Easy to operate



Top part is lifted for maximum access



Easy clamping & material alignment



Setting temperature & pressure controller



LABRİS MAD.VE SAN.LTD.ŞTİ.

İncek Yolu Taşpınar Mah.No.473 inceK-06837-Ankara-Türkiye

Tel. + 90 312 499 32 55 (pbx) • Faks + 90 312 499 33 35 • e-mail: info@labrisltd.com.tr • www.labrisltd.com.tr

Other Novitool® Solution:



Ply 130™ Ply Separator: The robust design allows for quick, effortless, and precise ply separation on thermoplastic belts - even extremely thin or difficult belts.



Pun M™ Manual Punching Machine: Fingers can be punched in belt ends with ease due to the lever design. The simple clamping and open end design allow for one person operation.

www.newwayofsplicing.com

NOVITool® AERO™ Portable Splice Press

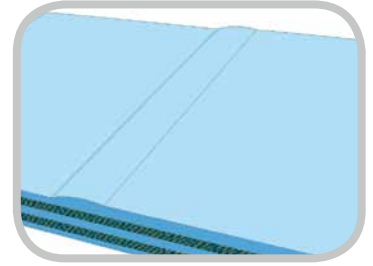
Quality, Smooth Splice

The wide platens with integrated cool zones prevent the top beam from sinking into the molten belt material under pressure. This results in an extremely flat splice which is desired by users.

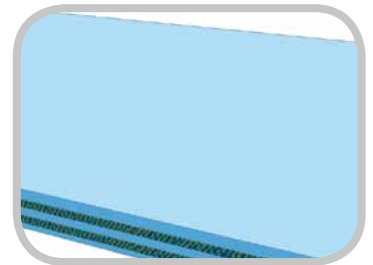
Aero™ Ordering Information

| Model | Item Code |
|-----------|-----------|
| Aero-300 | 08000 |
| Aero-600 | 08001 |
| Aero-900 | 08002 |
| Aero-1200 | 08003 |
| Aero-1500 | 08004 |

Note: power cords are not included and can be ordered separately.



Traditional splice



Smooth splice with the Aero™



The unit is well protected and can easily be transported to any location in the field with included flight case.



2525 Wisconsin Avenue • Downers Grove, IL 60515-4200 U.S.A.
Tel: (630)-971-0150 • Fax: (630)-971-1180 • E-mail: info@flexco.com • Web: www.flexco.com

Australia: 61-2-9680-3322 • China: 86-21-33528388 • England: 44-1274-600-942
Germany: 49-7428-9406-0 • Mexico: 52-55-5674-5326 • South Africa: 27-11-608-4180

©2009 Flexible Steel Lacing Company. Novitool® is a registered trademark. ENMV1k - For Reorder: X2222

Authorized Distributor:



LABRİS MAD.VE SAN.LTD.ŞTİ.

İncek Yolu Taşpınar Mah.No.473 ince-06837-Ankara-Türkiye

Tel. + 90 312 499 32 55 (pbx) • Faks + 90 312 499 33 35 • e-mail: info@labrisltd.com.tr • www.labrisltd.com.tr